



Notified Body  
ID No 1526

TÜV Eesti OÜ tel 6 075 918  
fax 6 379 601  
Testing Laboratory  
Vana-Narva mnt. 24B tel 6 379 306  
e-mail: test@tuev-nord.ee



1(4)

Accredited L020  
EVS EN ISO/IEC 17025

## Statement ST 006-12

Friday, 21/ December, 2012. a

**Requested by:** Martval OÜ  
Sära tee 5  
75312 Peetri  
Estonia

**Order:** 29.11.12

### Statement on influence of building hardware product manufactured by Martval OÜ to the fire resistance of timber doors.

**Request for comments:** The client requests a statement concerning influence of following building hardware products to the fire resistance of timber doors:

#### Hinges MV110R

**Test method** EN 1634-1:2008 *Fire resistance and smoke control tests for door and shutter assemblies, openable windows and elements of building hardware.*

*Part 1: Fire resistance test for door, shutter and openable windows.*

EN 1363-1: 2012 *Fire resistance tests – Part 1: General requirements.*

**Testing** Above-mentioned door hinges were tested in a double leaf hinged timber doors opening into the fire and into the unexposed side.

**Test results:** This statement is supported by TÜV Eesti OÜ test report № 375-12T2PAU.

**Statement:** We state as our opinion that if above mentioned building hardware product is used in the timber doors then it does not decrease the classification of the timber doors as shown below:

- product can be used in timber doors that are classified according to European standard EN13501-2 (tested according EN1634-1) to classes from EI 15 to EI 45.

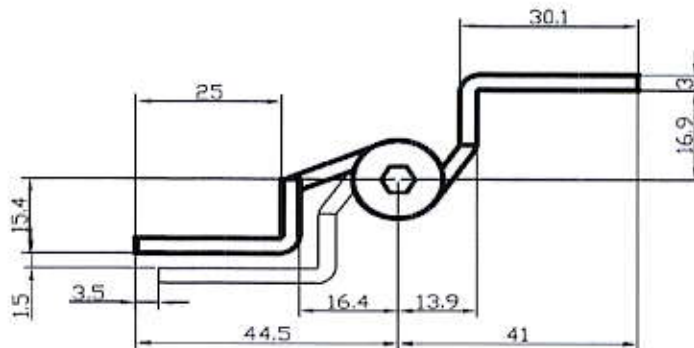
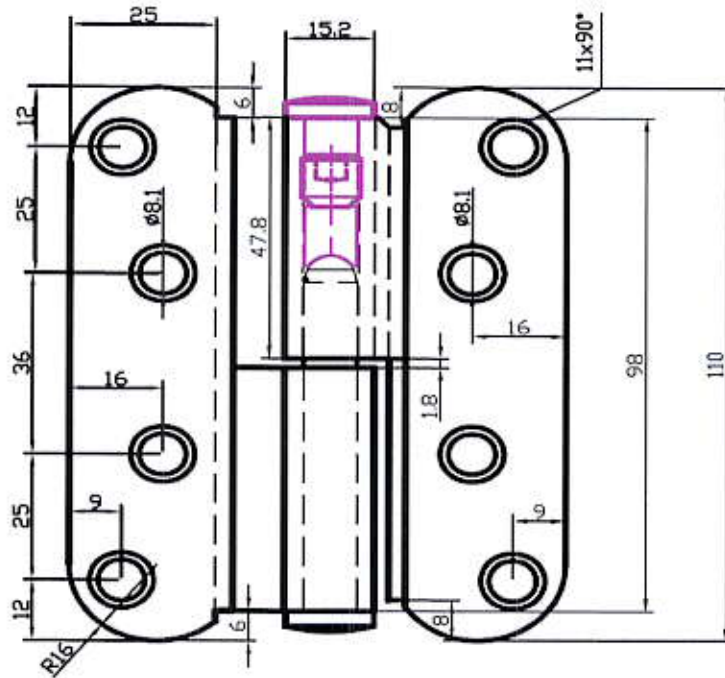
**Specification of tested product:** Material: chrome coated brass.

**Annotation:** If any changes are made to the construction or materials of the tested product this statement is not valid.

Fred Haas  
Head of Testing laboratory

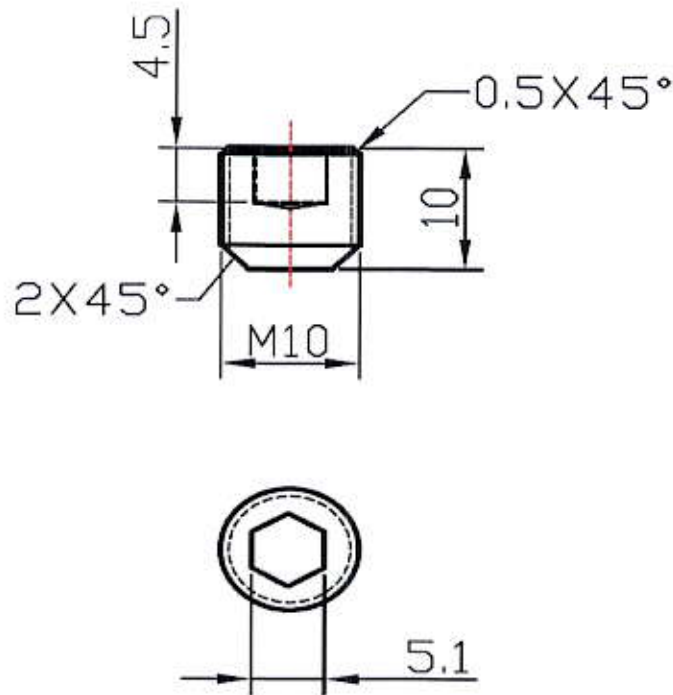
*This document does not represent type approval or certification of the product*





					右铰链装配图			
标记	更改文件号	签字	日期	图样标记	材料	重量	比例	
设计								
校对								
审核								
工艺		2009-6-30		共 页		第 页		



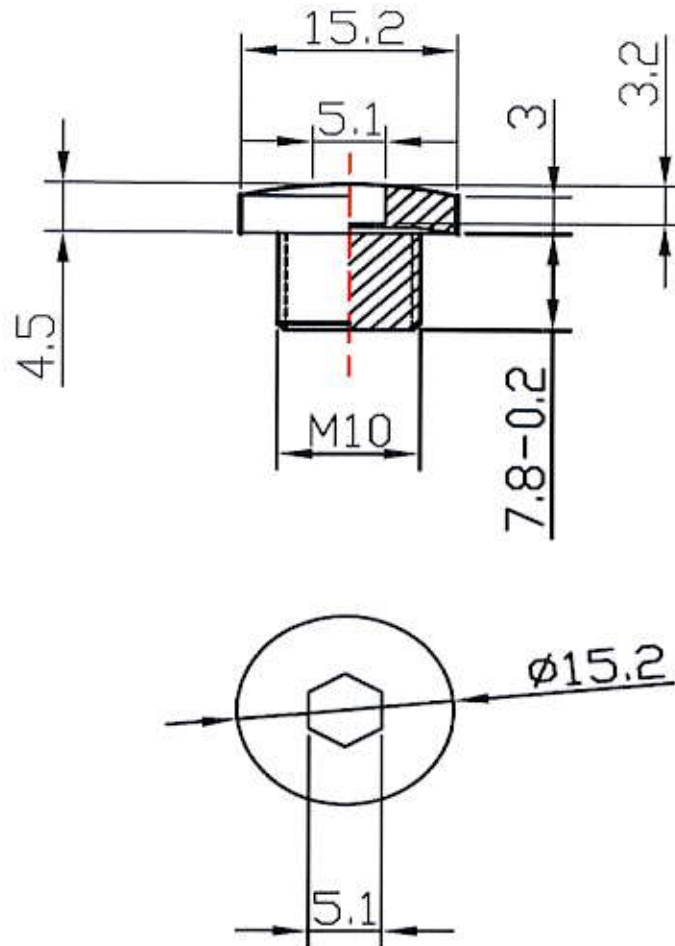


技术要求：  
硬化处理硬度为HV700左右

				铰链内六角螺丝				110X30TMSS			
标记	更改文件号	签字	日期	图样标记	材料	重量	比例				
设计	2009-6-29										
校对											
审核											
工艺								神乐电器接插元件厂			
				共 页		第 页					







技术要求：  
硬化处理硬度为HV700左右

				铰链螺丝销子				110X30T	
标记	更改文件号	签字	日期	图样标记	材料	重量	比例	 神乐电器接插元件厂	
设计	2009-6-28								
校对									
审核									
工艺									
				共 页		第 页			