



Notified Body
ID No 1526

TÜV Eesti OÜ tel 6 075 918
fax 6 379 601
Testing Laboratory
Vana-Narva mnt. 24B tel 6 379 306
e-mail: test@tuev-nord.ee



1(2)

Accredited L020
EVS EN ISO/IEC 17025

Statement ST 002-12

Wednesday, 18/ April, 2012. a

Requested by: Martval OÜ
Sära tee 5
75312 Peetri
Estonia

Order: 19.03.2012

Statement on influence of building hardware product manufactured by Martval OÜ to the fire resistance of timber doors.

Request for comments: The client requests a statement concerning influence of following building hardware products to the fire resistance of timber doors:

hinges MV5248-110ZN

Testmethod EN 1634-1:2008 *Fire resistance and smoke control tests for door and shutter assemblies, openable windows and elements of building hardware.*

Part 1: Fire resistance test for door, shutter and openable windows.

EN 1363-1: 1999 *Fire resistance tests – Part 1: General requirements.*

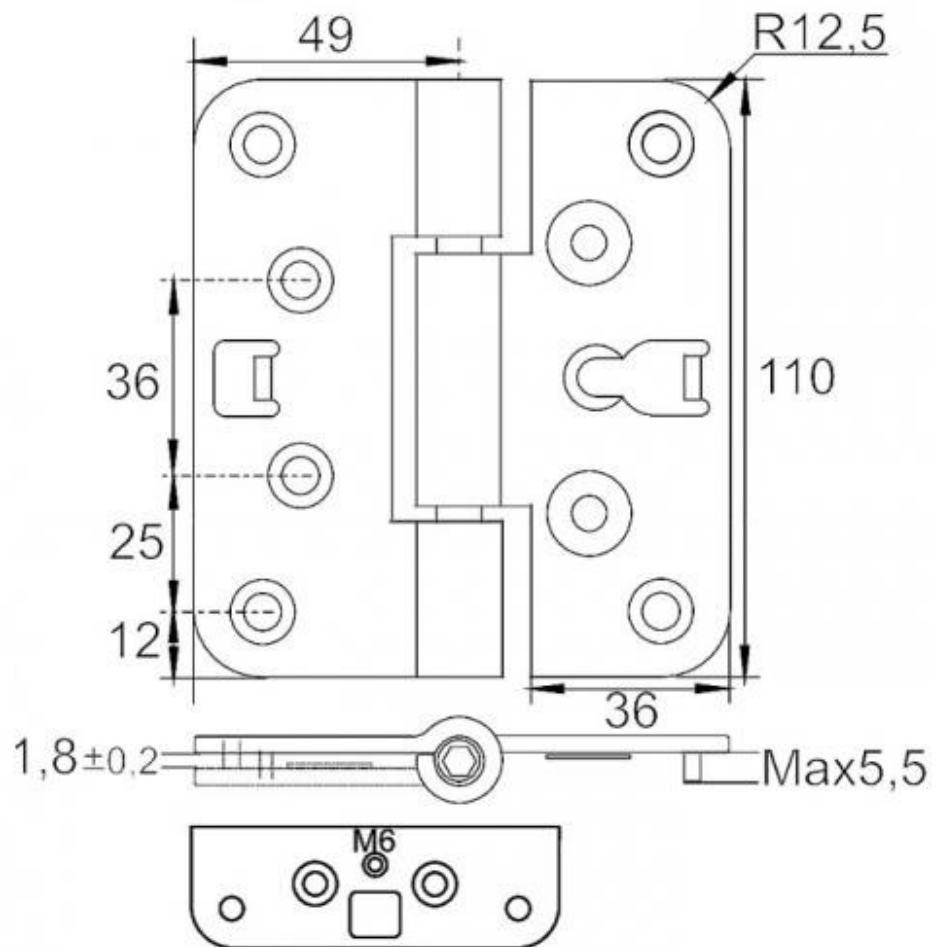
Testing Above-mentioned door hinges were tested in a single leaf hinged timber doors opening into the fire and into the unexposed side.

Test results: This statement is supported by TÜV Eesti OÜ test report no 339-12TPAU, 12.04.12.

Statement: We state as our opinion that if above mentioned building hardware product is used in the timber doors then it does not decrease the classification of the timber doors as shown below:

- product can be used in timber doors that are classified according to European standard EN13501-2 (tested according EN1634-1) to classes from EI 15 to EI 30.

Specification of tested product:



Material: zinc coated steel

Annotation:

If any changes are made to the construction or materials of the tested product this statement is not valid.

Fred Haas
Head of Testing laboratory

This document does not represent type approval or certification of the product